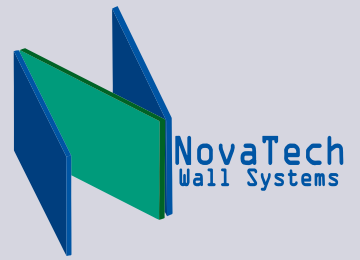


# TIMBERTONE



## Introducing NovaTech's Wood-Look Soffit & Siding Line "TimberTone Concealed Fastener Panels"

One doesn't have to look too hard to discover that wood-look metal panel soffits have become extremely popular. Unlike costly ceiling systems and other extruded aluminum systems, **TimberTone** is very affordable and budget friendly!

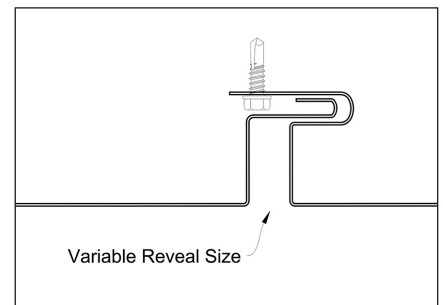


# TIMBERTONE

**TimberTone** is a concealed fastener metal panel system which utilizes a unique, woodgrain paint/print application process. The result is a metal panel system available in a stunning variety of woodgrain patterns!

Matching flatstock and/or trim is also available!

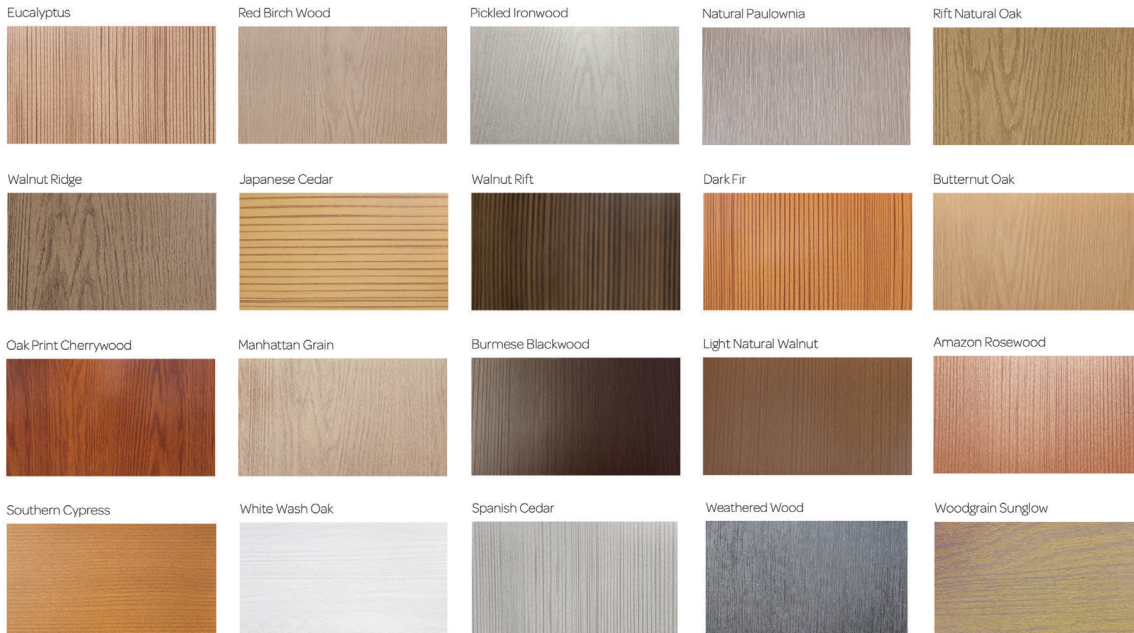
Wood-look wall panels are also immensely popular. These panels are perfect for all kinds of application such as arenas, multi-family residential, hotels and hospitality, hospitals and medical facilities and on and on! Like soffits, these panels are great for interior and exterior applications.



Panel Widths 10" To 16"  
with or without Pencil Ribs.

# **TIMBERTONE**

Check out some of our standard woodgrain options:



These are just a few examples of available wood grain options. There are many more! We also produce custom pattern/finish material on a regular basis. Standard or custom, call us for physical samples. We will get them shipped quickly!

## **Aluminum or Steel Substrates Available**

*Galvalume, Zinalume or AZ-50: 24 ga or 22 ga;  
or .040" or thicker Aluminum*



Our unique finishes are not only beautiful, they are tough and durable! Our finishes are tried and true PVDF based and applied with state of the art coil coating machinery and technology!

**NovaTechWS.com**  
sales@novatechws.com  
844-815-1038

